

12U GW600-Series Wall Mount Cabinet with Glass Front Door



GW600-Series Wall Mount Cabinet

The Wall Mount Cabinet is designed to house EIA-standard 19-inch rack equipment in network wiring closets, retail locations, classrooms, back offices and other areas with limited floor space where you need equipment to be secure, organized and out of the way. Constructed from heavy-duty steel with a durable black powder-coated finish, the cabinet has a maximum load capacity of 132.3lbs.

Key Features

1. Removable Side Panel

Removable side panels are perfect for retrofit equipment and cabling.



2. Top and Bottom Panel

Convenient top and bottom ports allow easy cable routing.



3. Mounting Rail

Square mounting holes make equipment installation easy.



4. Wall-mounting Hole

Wall-mounting holes space 19.21" apart for wall stud placement.



5. Grounding Wire

Grounded to the cabinet frame and protect people and device.



6. Door Lock

Door locks securely to help prevent damage, tampering or theft.



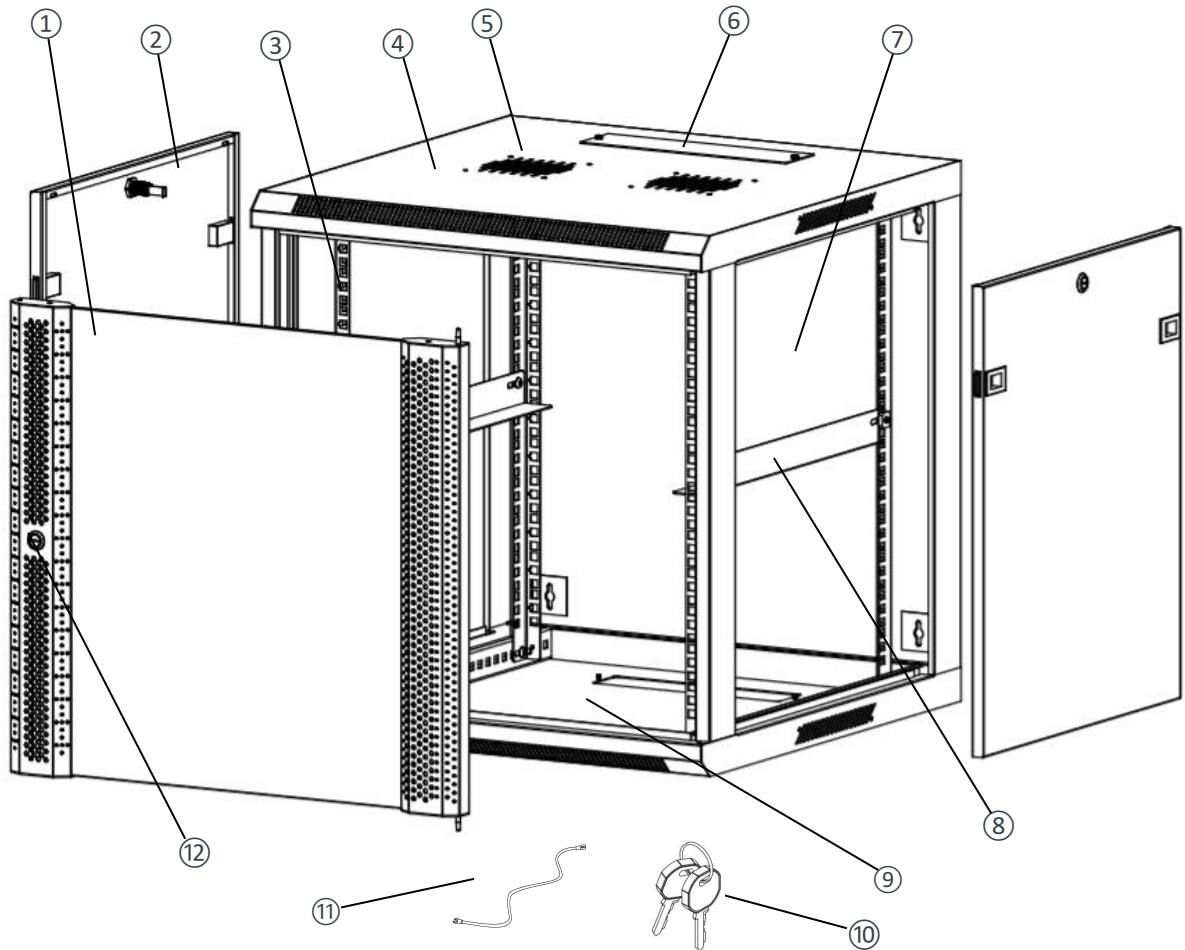
Technical Specification

Product Type	Wall Mount Cabinet
No. of Rack Spaces	12U
Maximum Height	25.12" (638mm)
Maximum Depth	23.62" (600mm)
Maximum Width	24.02" (610mm)
Available Maximum Depth	21.65" (550mm)
Color	Black
Front Door	Glass
Rear Door	SPCC
Side Panel	SPCC
Static Load Capacity	132.3lbs (60kg)
Grounding Wire	Front door frames
Shipment	Fully assembled

Compliant

ANSI/EIA RS-310-D, IEC297-2, DIN 41491;
PART1, DIN41494; PART 7, GB/T3047.2-92, ETSI Standard

Assembly Structure Illustration

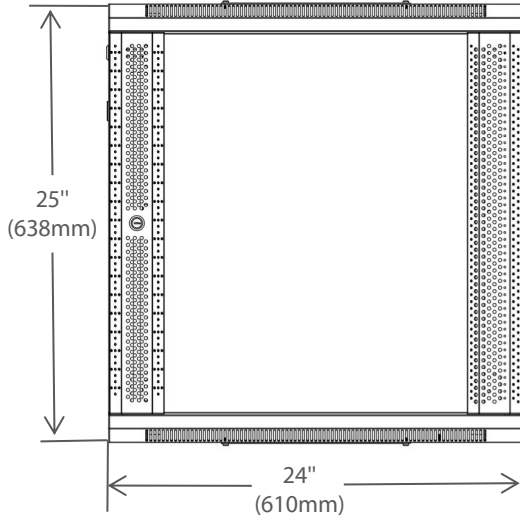


- | | |
|---------------------------------|--------------------------------|
| ① Glass Front Door (x1) | ⑦ Back Panel (x1) |
| ② Side Panel (x2) | ⑧ L Type Mounting Bracket (x2) |
| ③ Adjustable Mounting Rail (x4) | ⑨ Bottom Panel (x1) |
| ④ Top Panel (x1) | ⑩ Key (x2) |
| ⑤ Ventilation Fan Port (x4) | ⑪ Grounding Wire (x1) |
| ⑥ Cable Access Port Cover (x2) | ⑫ Lock (x3) |

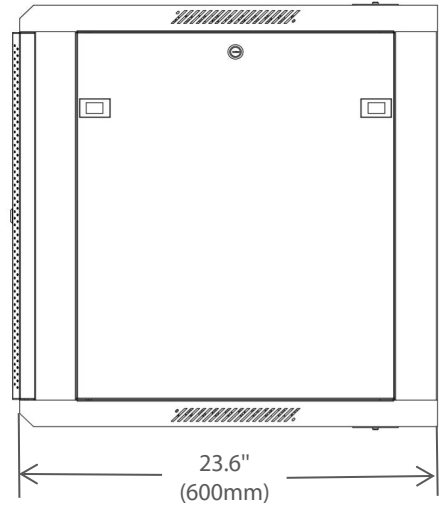
Accessories

- Expansion Screws (x4)
- Fork Wrench (x1)
- Installation Instruction (x1)
- M6 Screws, Nut and Cup Washer (x8)
- Phillips-head Screwdriver (x1)

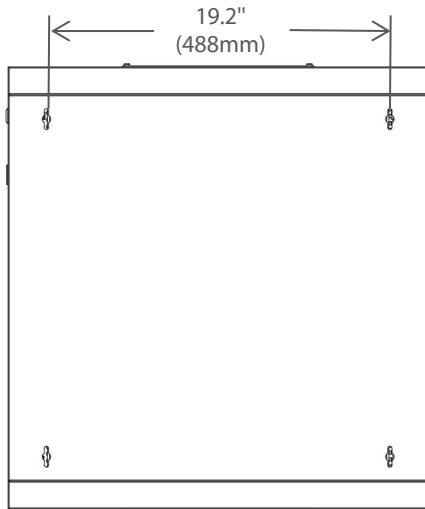
Cabinet Dimension Illustration



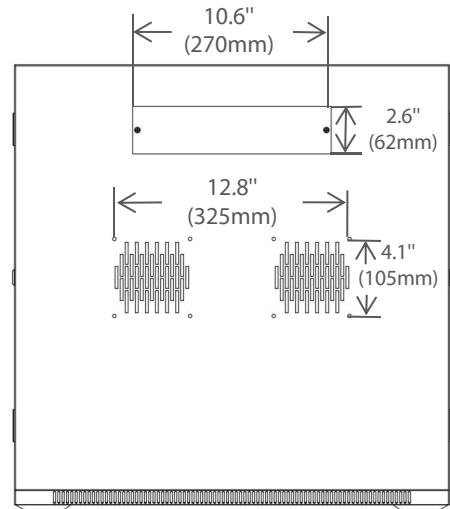
Front



Side



Back



Top





Cabinet Application

Wall-mount cabinet secures and organizes 12U of 19-inch rack equipment in network closets, classrooms and other locations with limited floor space. Houses switches and patch panel up to 21.7 inches deep.








Product Options in this Cabinet

FS offers a full line of products and options that include switch, patch panel and others to help perfect your wall mount network cabinet.

Picture	ID No.	Description
	#73457	8-Port Gigabit PoE+ Managed Switch with 2 SFP, 150W
	#69180	1U 24 Ports Cat6 Unshielded Feed-Through High Quality Patch Panel
	#29038	1U Plastic Single Sided Horizontal Cable Manager with Finger Duct
	#66742	6in (0.15m) Cat6 Snagless Unshielded (UTP) PVC CM Slim Ethernet Network Patch Cable, Blue

Mounting Hardware

Shelves and mounting accessories to aid in the installation of IT equipment and secure racks into position.

Picture	ID No.	Description
	#72752	1U 19" Tool-Less Snap-In Blanking Panel can reduce by pass airflow through open spaces
	#72753	1U 19" Rack Blanking Panel creates a clean and professional look by covering empty rack space
	#71024	1U 19" Vented Cantilever Fixed Shelf supports up to 22lbs and mounting in cabinets as deep as 10"
	#28952	Anti-Static Wrist Strap protects your sensitive hardware from static electricity
	#14101	M6 Model Screw and Nut installs your rack-mountable hardware securely



 <https://www.fs.com>



The information in this document is subject to change without notice. FS has made all efforts to ensure the accuracy of the information, but all information in this document does not constitute any kind of warranty.