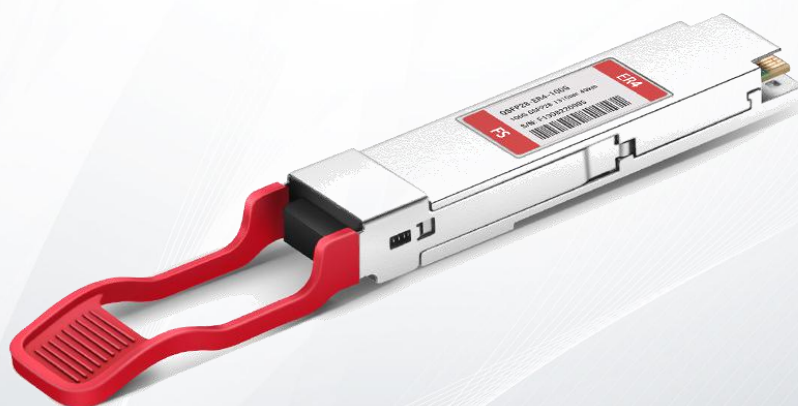


# 100GBASE-ER4 and 112GBASE-OTU4 QSFP28 Dual Rate 1310nm 40km DOM Transceiver

Q28-100/112G-40



## Application

- 100GBASE-ER4 Ethernet Links
- Infiniband QDR and DDR interconnects
- Client-side 100G Telecom connections

## Features

- Hot pluggable QSFP28 MSA form factor
- Compliant to IEEE 802.3ba 100GBASE-ER4
- Single +3.3V power supply
- Operating case temperature: 0 ~70°C
- Up to 40km reach for G.652 SMF with FEC
- Transmitter: cooled 4x25Gb/s up to 4x28 Gb/s LAN WDM TOSA (1295.56, 1300.05, 1304.58, 1309.14nm) with hermetic packages
- Receiver: 4x25Gb/s ROSA with hermetic packages up to 4x28 Gb/s
- Maximum power consumption 4.5W
- 4x28G Electrical Serial Interface (CEI-28G-VSR)
- Duplex LC receptacle
- RoHS-6 compliant

## Description

### I. General Description

This product is a 100Gb/s transceiver module designed for optical communication applications compliant to 100GBASE-ER4 standard. The module converts 4 input channels of 25Gb/s electrical data to 4 channels of LAN WDM optical signals and then multiplexes them into a single channel for 100Gb/s optical transmission. Reverse on the receiver side, the module de-multiplexes a 100Gb/s optical input into 4 channels of LAN WDM optical signals and then converts them to 4 output channels of electrical data.

The central wavelengths of the 4 LAN WDM channels are 1295.56, 1300.05, 1304.58 and 1309.14 nm as members of the LAN WDM wavelength grid defined in IEEE 802.3ba. The high performance cooled LAN WDM EA-DFB transmitters and high sensitivity receivers provide superior performance for 100Gigabit Ethernet applications up to 40km links with FEC.

The product is designed with form factor, optical/electrical connection and digital diagnostic interface according to the QSFP+ Multi-Source Agreement (MSA). It has been designed to meet the harshest external operating conditions including temperature, humidity and EMI interference.

### II. Functional Description

The transceiver module receives 4 channels of 25Gb/s electrical data, which are processed by a 4-channel Clock and Data Recovery (CDR) IC that reshapes and reduces the jitter of each electrical signal. Subsequently, each of 4 laser driver IC's converts one of the 4 channels of electrical signals to an optical signal that is transmitted from one of the 4 cooled DML lasers which are packaged in the Transmitter Optical Sub-Assembly (TOSA). Each laser launches the optical signal in specific wavelength specified in IEEE802.3ba 100GBASE-ER4 requirements. These 4-lane optical signals will be optically multiplexed into a single fiber by a 4-to-1 optical WDM MUX. The optical output power of each channel is maintained constant by an automatic power control (APC) circuit. The transmitter output can be turned off by TX\_DIS hardware signal and/or 2-wire serial interface.

The receiver receives 4-lane LAN WDM optical signals. The optical signals are de-multiplexed by a 1-to-4 optical DEMUX and each of the resulting 4 channels of optical signals is fed into one of the 4 receivers that are packaged into the Receiver Optical Sub-Assembly (ROSA). Each receiver converts the optical signal to an electrical signal. The regenerated electrical signals are retimed and de-jittered and amplified by the RX portion of the 4-channel CDR. The retimed 4-lane output electrical signals are compliant with CEI-28G-VSR interface requirements. In addition, each received optical signal is monitored by the DOM section. The monitored value is reported through the 2-wire serial interface. If one or more received optical signal is weaker than the threshold level, RX\_LOS hardware alarm will be triggered.

A single +3.3V power supply is required to power up this product. Both power supply pins VccTx and VccRx are internally connected and should be applied concurrently. As per MSA specifications the module offers 7 low speed hardware control pins (including the 2-wire serial interface): ModSelL, SCL, SDA, ResetL, LPMode, ModPrsL and IntL.

Module Select (ModSelL) is an input pin. When held low by the host, this product responds to 2-wire serial communication commands. The ModSelL allows the use of this product on a single 2-wire interface bus – individual ModSelL lines must be used.

Serial Clock (SCL) and Serial Data (SDA) are required for the 2-wire serial bus communication interface and enable the host to access the QSFP28 memory map.

The ResetL pin enables a complete reset, returning the settings to their default state, when a low level on the ResetL pin is held for longer than the minimum pulse length. During the execution of a reset the host shall disregard all status bits until it indicates a completion of the reset interrupt. The product indicates this by posting an IntL (Interrupt) signal with the Data\_Not\_Ready bit negated in the memory map. Note that on power up (including hot insertion) the module should post this completion of reset interrupt without requiring a reset.

Low Power Mode (LPMode) pin is used to set the maximum power consumption for the product in order to protect hosts that are not capable of cooling higher power modules, should such modules be accidentally inserted.

Module Present (ModPrsL) is a signal local to the host board which, in the absence of a product, is normally pulled up to the host Vcc. When the product is inserted into the connector, it completes the path to ground through a resistor on the host board and asserts the signal. ModPrsL then indicates its present by setting ModPrsL to a “Low” state.

Interrupt (IntL) is an output pin. “Low” indicates a possible operational fault or a status critical to the host system. The host identifies the source of the interrupt using the 2-wire serial interface. The IntL pin is an open collector output and must be pulled to the Host Vcc voltage on the Host board.

## Product Specifications

### I. Absolute Maximum Ratings

It has to be noted that the operation in excess of any individual absolute maximum ratings might cause permanent damage to this module.

| Parameter                                   | Symbol          | Min  | Typ. | Max | Unit | Ref. |
|---|-----------------|------|------|-----|------|------|
| <b>Storage Temperature</b>                  | TS              | -40  |      | 85  | °C   |      |
| <b>Operating Case Temperature</b>           | T <sub>OP</sub> | 0    |      | 70  | °C   |      |
| <b>Power Supply Voltage</b>                 | V <sub>CC</sub> | -0.5 |      | 3.6 | V    |      |
| <b>Relative Humidity (non-condensation)</b> | RH              | 0    |      | 85  | %    |      |
| <b>Damage Threshold, each Lane</b>          | TH <sub>d</sub> | -3.0 |      |     | dBm  |      |

### II. Recommended Operating Conditions and Power Supply Requirements

| Parameter                         | Symbol          | Min   | Typ.     | Max             | Unit |
|-----------------------------------|-----------------|-------|----------|-----------------|------|
| <b>Operating Case Temperature</b> | T <sub>OP</sub> | 0     |          | 70              | °C   |
| <b>Power Supply Voltage</b>       | V <sub>CC</sub> | 3.135 | 3.3      | 3.465           | V    |
| <b>Data Rate, each Lane</b>       |                 |       | 25.78125 | 28.05           | Gb/s |
| <b>Control Input Voltage High</b> |                 | 2     |          | V <sub>CC</sub> | V    |

|                                  |   |     |   |
|----------------------------------|---|-----|---|
| <b>Control Input Voltage Low</b> | 0 | 0.8 | V |
|----------------------------------|---|-----|---|

|                                 |   |    |    |
|---------------------------------|---|----|----|
| <b>Link Distance with G.652</b> | D | 40 | km |
|---------------------------------|---|----|----|

### III. Optical Characteristics

#### QSFP28 100GBASE-ER4

| Parameter              | Symbol | Min     | Typ.    | Max     | Unit | Ref. |
|------------------------|--------|---------|---------|---------|------|------|
| <b>Lane Wavelength</b> | L0     | 1294.53 | 1295.56 | 1296.59 | nm   |      |
|                        | L1     | 1299.02 | 1300.05 | 1301.09 | nm   |      |
|                        | L2     | 1303.54 | 1304.58 | 1305.63 | nm   |      |
|                        | L3     | 1308.09 | 1309.14 | 1310.19 | nm   |      |

#### Transmitter

|             |      |    |  |  |    |  |
|-------------|------|----|--|--|----|--|
| <b>SMSR</b> | SMSR | 30 |  |  | dB |  |
|-------------|------|----|--|--|----|--|

|                                   |       |  |  |      |     |  |
|-----------------------------------|-------|--|--|------|-----|--|
| <b>Total Average Launch Power</b> | $P_T$ |  |  | 10.5 | dBm |  |
|-----------------------------------|-------|--|--|------|-----|--|

|  |                |      |  |     |     |  |
|--|----------------|------|--|-----|-----|--|
| <b>Average Launch Power, each Lane</b> | $P_{AVG\_25G}$ | -2.5 |  | 2.9 | dBm |  |
|  | $P_{AVG\_28G}$ | -1   |  | 3.3 | dBm |  |

|                         |    |   |  |  |    |  |
|-------------------------|----|---|--|--|----|--|
| <b>Extinction Ratio</b> | ER | 4 |  |  | dB |  |
|-------------------------|----|---|--|--|----|--|

|                                 |     |  |  |      |       |  |
|---------------------------------|-----|--|--|------|-------|--|
| <b><math>RIN_{20OMA}</math></b> | RIN |  |  | -130 | dB/Hz |  |
|---------------------------------|-----|--|--|------|-------|--|

|   |  |                                    |  |  |  |  |
|---|--|------------------------------------|--|--|--|--|
| <b>Eye Mask{X1, X2, X3, Y1, Y2, Y3}</b> |  | {0.25, 0.4, 0.45, 0.25, 0.28, 0.4} |  |  |  |  |
|---|--|------------------------------------|--|--|--|--|

#### Receiver

|                                    |     |      |  |  |     |   |
|------------------------------------|-----|------|--|--|-----|---|
| <b>Damage Threshold, each Lane</b> | THd | -3.0 |  |  | dBm | 1 |
|------------------------------------|-----|------|--|--|-----|---|

|                                    |  |  |  |     |     |  |
|------------------------------------|--|--|--|-----|-----|--|
| <b>Total Average Receive Power</b> |  |  |  | 2.0 | dBm |  |
|------------------------------------|--|--|--|-----|-----|--|

|  |         |     |       |     |          |   |
|--|---------|-----|-------|-----|----------|---|
| <b>Receiver Sensitivity (OMA), each Lane</b> | SEN_25G |     | -16.5 | -15 | dBm(OMA) | 2 |
|  | SEN_28G |     | -20.5 | -19 | dBm(Ave) | 3 |
| <b>LOS Assert</b>                            | LOSA    |     | -26   |     | dBm      |   |
| <b>LOS Deassert</b>                          | LOSD    |     | -24   |     | dBm      |   |
| <b>LOS Hysteresis</b>                        | LOSH    | 0.5 |       |     | dB       |   |

**Notes:**

1. The receiver shall be able to tolerate, without damage, continuous exposure to a modulated optical input signal having this power level on one lane. The receiver does not have to operate correctly at this input power.

2. 25.78125Gb/s, NRZ, PRBS 2<sup>31</sup>-1, BER=5x10<sup>-5</sup>.

3. 27.95249Gb/s, NRZ, PRBS 2<sup>31</sup>-1, BER=5x10<sup>-5</sup>.

## IV. Electrical Characteristics

The following electrical characteristics are defined over the Recommended Operating Environment unless otherwise specified.

| Parameter   | Symbol          | Min  | Typ. | Max                             | Unit | Ref.    |
|---|-----------------|------|------|---------------------------------|------|---------|
| <b>Power Consumption</b>                            |                 |      |      | 4.5                             | W    |         |
| <b>Supply Current</b>                               | I <sub>cc</sub> |      |      | 1.36                            | A    |         |
| <b>Transceiver Power-on Initialization Time</b>     |                 |      |      | 2000                            | ms   |         |
| <b>Transmitter (each Lane)</b>                      |                 |      |      |                                 |      |         |
| <b>Overload Differential Voltage pk-pk</b>          | TP1a            | 900  |      |                                 | mV   |         |
| <b>Common Mode Voltage (V<sub>cm</sub>)</b>         | TP1             | -350 |      | 2850                            | mV   | 2       |
| <b>Differential Termination Resistance Mismatch</b> | TP1             |      |      | 10                              | %    | At 1MHz |
| <b>Differential Return Loss (SDD11)</b>             | TP1             |      |      | See CEI- 28G-VSR equation 13-19 | dB   |         |

**Common Mode to Differential conversion and Differential to Common Mode conversion (SDC11, SCD11)**

TP1

See CEI- 28G-VSR equation 13-20

dB

|                            |      |                                      |  |  |  |  |
|----------------------------|------|--------------------------------------|--|--|--|--|
| <b>Stressed Input Test</b> | TP1a | See CEI- 28G-VSR Section13. 3.11.2.1 |  |  |  |  |
|----------------------------|------|--------------------------------------|--|--|--|--|

**Receiver (each Lane)**

|   |     |      |  |                                 |    |         |
|---|-----|------|--|---------------------------------|----|---------|
| <b>Differential Voltage, pk-pk</b>  | TP4 |      |  | 900                             | mV |         |
| <b>Common Mode Voltage (Vcm)</b>  | TP4 | -350 |  | 2850                            | mV | 2       |
| <b>Common Mode Noise, RMS</b>   | TP4 |      |  | 17.5                            | mV |         |
| <b>Differential Termination Resistance Mismatch</b>   | TP4 |      |  | 10                              | %  | At 1MHz |
| <b>Differential Return Loss (SDD22)</b>   | TP4 |      |  | See CEI- 28G-VSR equation 13-19 | dB |         |
| <b>Common Mode to Differential conversion and Differential to Common Mode conversion (SDC22, SCD22)</b> | TP4 |      |  | See CEI- 28G-VS Requation 13-21 | dB |         |
| <b>Common Mode Return Loss (SCC22)</b>  | TP4 |      |  | -2                              | dB | 3       |
| <b>Transition Time, 20 to 80%</b>   | TP4 | 9.5  |  |                                 | ps |         |
| <b>Vertical Eye Closure (VEC)</b>   | TP4 |      |  | 5.5                             | dB |         |
| <b>Eye Width at 10-15 probability (EW15)</b>  | TP4 | 0.57 |  |                                 | UI |         |
| <b>Eye Height at 10-15 probability (EH15)</b>   | TP4 | 228  |  |                                 | mV |         |

**Notes:**

1. Power-on Initialization Time is the time from when the power supply voltages reach and remain above the minimum recommended operating supply voltages to the time when the module is fully functional.
2. Vcm is generated by the host. Specification includes effects of ground offset voltage.
3. From 250MHz to 30GHz.

## V. Digital Diagnostic Functions

The following digital diagnostic characteristics are defined over the normal operating conditions unless otherwise specified.

| Parameter                                      | Symbol       | Min  | Max | Unit | Ref.                             |
|--|--------------|------|-----|------|----------------------------------|
| <b>Temperature monitor absolute error</b>      | DMI_Temp     | -3   | 3   | °C   | Over operating temperature range |
| <b>Supply voltage monitor absolute error</b>   | DMI_VCC      | -0.1 | 0,1 | V    | Over full operating range        |
| <b>Channel RX power monitor absolute error</b> | DMI_RX_Ch    | -2   | 2   | dB   | 1                                |
| <b>Channel Bias current monitor</b>            | DMI_Ibias_Ch | -10% | 10% | mA   |                                  |
| <b>Channel TX power monitor absolute error</b> | DMI_TX_Ch    | -2   | 2   | dB   | 1                                |

### Notes:

1. Due to measurement accuracy of different single mode fibers, there could be an additional +/- dB fluctuation, or a +/- 3 dB total accuracy.

## VI. PIN Assignment and Description

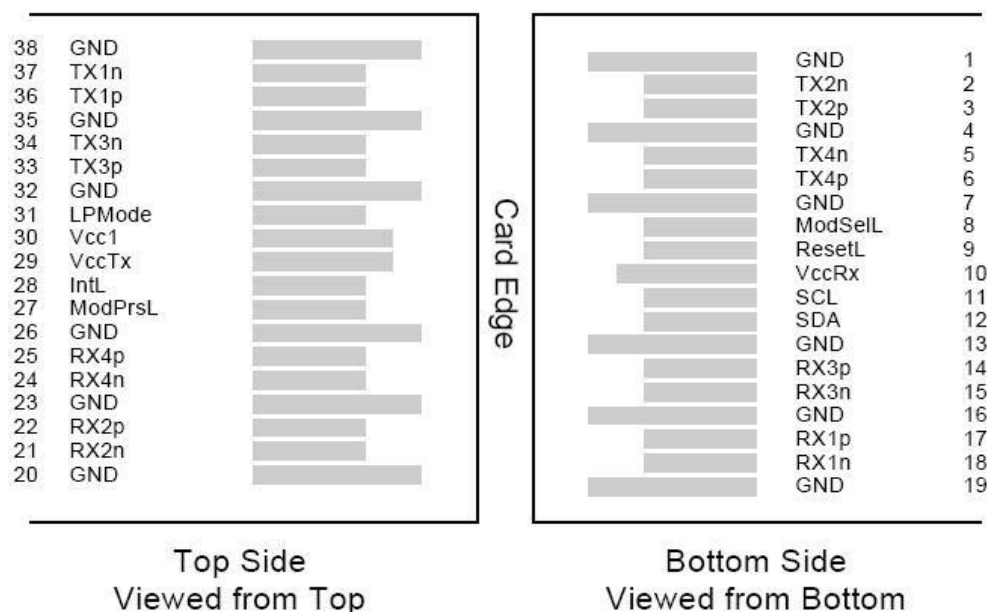


Figure 1 – MSA Compliant Connector

| Pin | Logic      | Symbol  | Description                          | Notes |
|-----|------------|---------|--------------------------------------|-------|
| 1   |            | GND     | Ground                               | 1     |
| 2   | CML-I      | Tx2n    | Transmitter Inverted Data Input      |       |
| 3   | CML-I      | Tx2p    | Transmitter Non-Inverted Data output |       |
| 4   |            | GND     | Ground                               | 1     |
| 5   | CML-I      | Tx4n    | Transmitter Inverted Data Input      |       |
| 6   | CML-I      | Tx4p    | Transmitter Non-Inverted Data output |       |
| 7   |            | GND     | Ground                               | 1     |
| 8   | LVTTLL-I   | ModSelL | Module Select                        |       |
| 9   | LVTTLL-I   | ResetL  | Module Reset                         |       |
| 10  |            | VccRx   | +3.3 V Power Supply Receiver         | 2     |
| 11  | LVCNOS-I/O | SCL     | 2-Wire Serial Interface Clock        |       |
| 12  | LVCNOS-I/O | SDA     | 2-Wire Serial Interface Data         |       |
| 13  |            | GND     | Ground                               |       |
| 14  | CML-O      | Rx3p    | Receiver Non-Inverted Data Output    |       |
| 15  | CML-O      | Rx3n    | Receiver Inverted Data Output        |       |
| 16  |            | GND     | Ground                               | 1     |
| 17  | CML-O      | Rx1p    | Receiver Non-Inverted Data Output    |       |
| 18  | CML-O      | Rx1n    | Receiver Inverted Data Output        |       |
| 19  |            | GND     | Ground                               | 1     |
| 20  |            | GND     | Ground                               | 1     |
| 21  | CML-O      | Rx2n    | Receiver Inverted Data Output        |       |
| 22  | CML-O      | Rx2p    | Receiver Non-Inverted Data Output    |       |
| 23  |            | GND     | Ground                               | 1     |
| 24  | CML-O      | Rx4n    | Receiver Inverted Data Output        | 1     |



|    |          |         |                                     |   |
|----|----------|---------|-------------------------------------|---|
| 25 | CML-O    | Rx4p    | Receiver Non-Inverted Data Output   |   |
| 26 |          | GND     | Ground                              | 1 |
| 27 | LVTTTL-O | ModPrsL | Module Present                      |   |
| 28 | LVTTTL-O | IntL    | Interrupt                           |   |
| 29 |          | VccTx   | +3.3V Power supply transmitter      | 2 |
| 30 |          | Vcc1    | +3.3V Power supply                  | 2 |
| 31 | LVTTTL-I | LPMode  | Low Power Mode                      |   |
| 32 |          | GND     | Ground                              | 1 |
| 33 | CML-I    | Tx3p    | Transmitter Non-Inverted Data Input |   |
| 34 | CML-I    | Tx3n    | Transmitter Inverted Data Output    |   |
| 35 |          | GND     | Ground                              | 1 |
| 36 | CML-I    | Tx1p    | Transmitter Non-Inverted Data Input |   |
| 37 | CML-I    | Tx1n    | Transmitter Inverted Data Output    |   |
| 38 |          | GND     | Ground                              | 1 |

**Notes:**

- 1.GND is the symbol for signal and supply (power) common for the QSFP28 module. All are common within the module and all module voltages are referenced to this potential unless otherwise noted. Connect these directly to the host board signal common ground plane.
- 2.VccRx, Vcc1 and VccTx are the receiving and transmission power suppliers and shall be applied concurrently. Recommended host board power supply filtering is shown in Figure 3 below. Vcc Rx, Vcc1 and Vcc Tx may be internally connected within the module in any combination. The connector pins are each rated for a maximum current of 1000mA.

### VII. Transceiver Block Diagram

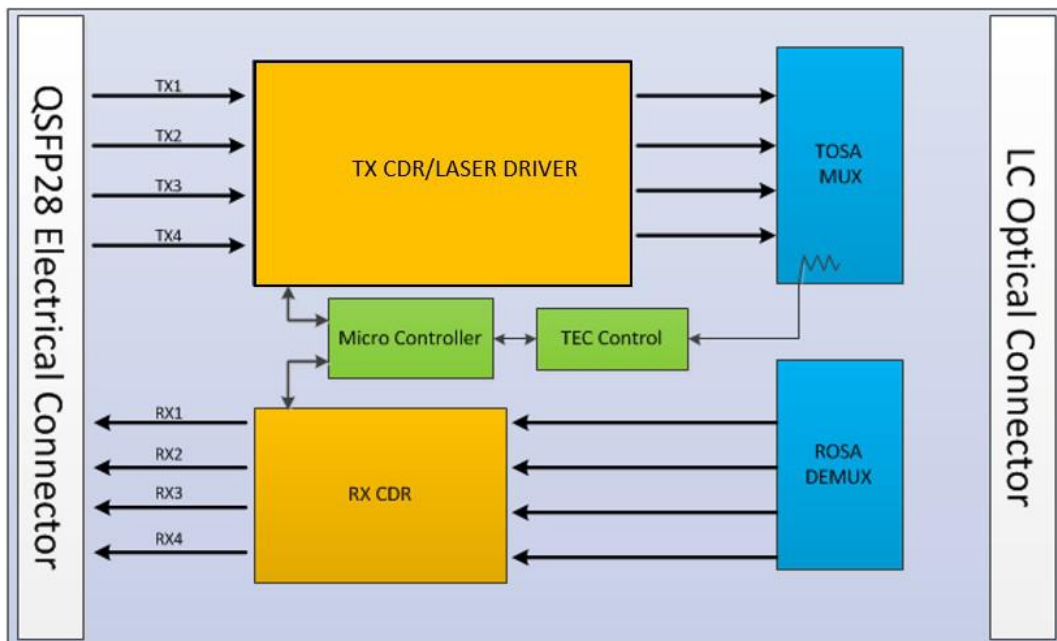


Figure 2 – Transceiver Block Diagram

### VIII. Recommended Power Supply Filter

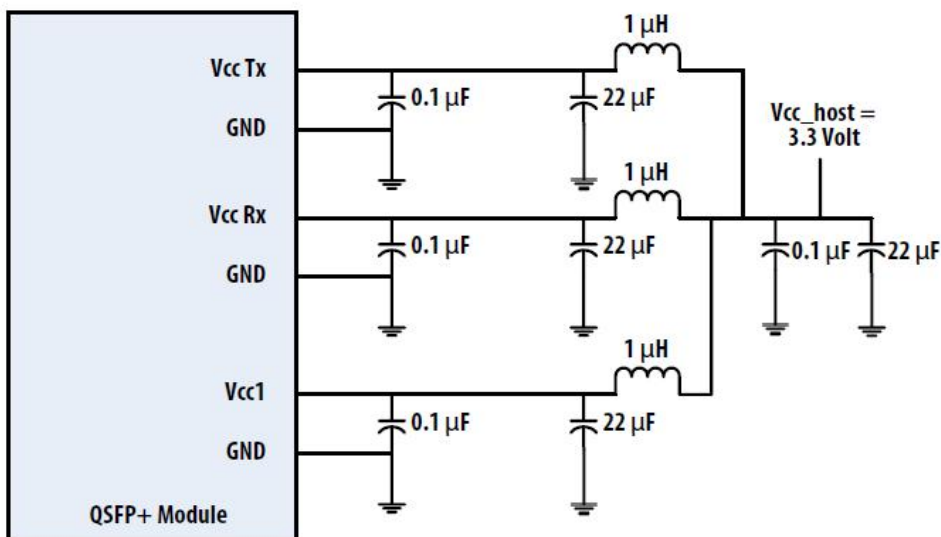
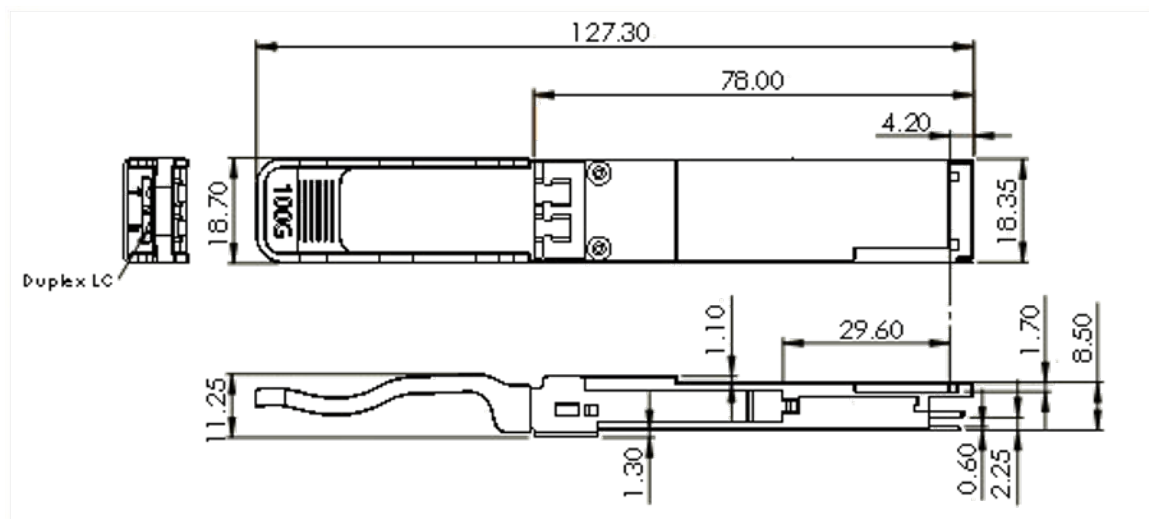


Figure 3 – Recommended Power Supply Filter

## IX. Mechanical Dimensions



**Figure 4 – Mechanical Outline**

## **X. ESD**

This transceiver is specified as ESD threshold 1kV for SFI pins and 2kV for all other electrical input pins, tested per MIL-STD-883, Method 3015.4 /JESD22-A114-A (HBM). However, normal ESD precautions are still required during the handling of this module. This transceiver is shipped in ESD protective packaging. It should be removed from the packaging and handled only in an ESD protected environment.

## **XI. Laser Safety**

This is a Class 1 Laser Product according to EN 60825-1:2014. This product complies with 21 CFR 1040.10 and 1040.11 except for deviations pursuant to Laser Notice No. 50, dated (June 24, 2007).

Caution: Use of controls or adjustments or performance of procedures other than those specified herein may result in hazardous radiation exposure.

## Test Center

FS.COM transceivers are tested to ensure connectivity and compatibility in our test center before shipped out. FS.COM test center is supported by a variety of mainstream original brand switches and groups of professional staff, helping our customers make the most efficient use of our products in their systems, network designs and deployments.

The original switches could be found nowhere but at FS.COM test center, eg: Juniper MX960 & EX 4300 series, Cisco Nexus 9396PX & Cisco ASR 9000 Series, HP 5900 Series & HP 5406R ZL2 V3(J9996A), Arista 7050S-64, Brocade ICX7750-26Q & ICX6610-48, Avaya VSP 7000 MDA 2, etc.



Cisco ASR 9000 Series(A9K-MPA-1X40GE)



ARISTA 7050S-64(DCS-7050S-64)



Juniper MX960



Brocade ICX 7750-26Q



Extreme Networks X670V VIM-40G4X



Mellanox M3601Q



Dell N4032F



HP 5406R ZL2 V3(J9996A)



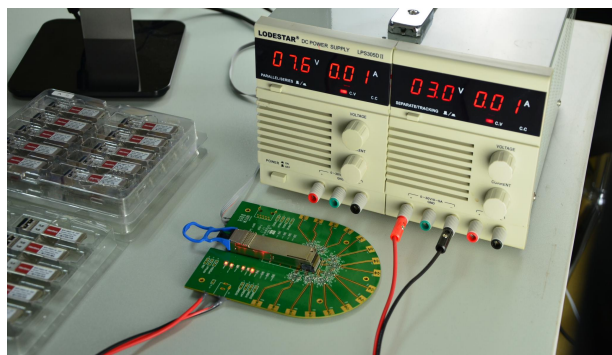
AVAYA 7024XLS(7002QQ-MDA)

## Test Assured Program

FS.COM truly understands the value of compatibility and interoperability to each optics. Every module FS.COM provides must run through programming and an extensive series of platform diagnostic tests to prove its performance and compatibility. In our test center, we care of every detail from staff to facilities—professionally trained staff, advanced test facilities and comprehensive original-brand switches, to ensure our customers to receive the optics with superior quality.



Our smart data system allows effective product management and quality control according to the unique serial number, properly tracing the order, shipment and every part.



Our in-house coding facility programs all of our parts to standard OEM specs for compatibility on all major vendors and systems such as Cisco, Juniper, Brocade, HP, Dell, Arista and so on.



With a comprehensive line of original-brand switches, we can recreate an environment and test each optics in practical application to ensure quality and distance.



The last test assured step to ensure our products to be shipped with perfect package.

## Order Information

| Part Number       | Description   |
|-------------------|---|
| QSFP28-SR4-100G   | QSFP28 100GBASE-SR4 850nm 100m Transceiver                              |
| QSFP28-LR4-100G   | QSFP28 100GBASE-LR4 1310nm 10km Transceiver                             |
| QSFP28-PIR4-100G  | QSFP28 100GBASE-PSM4 1310nm 500m Transceiver                            |
| QSFP28-IR4-100G   | QSFP28 100GBASE-CWDM4 1310nm 2km Transceiver                            |
| QSFP28-EIR4-100G  | QSFP28 100GBASE-eCWDM4 1310nm 10km Transceiver                          |
| QSFP28-ER4-100G   | QSFP28 100GBASE-ER4 1310nm 40km Transceiver                             |
| QSFP28-LR4-100G-I | QSFP28 100GBASE-LR4 1310nm 10km Industrial Transceiver                  |
| Q28-100/112G-10   | QSFP28 100GBASE-LR4 and 112GBASE-OTU4 Dual Rate 1310nm 10km Transceiver |
| Q28-100/112G-20   | QSFP28 100GBASE-LR4 and 112GBASE-OTU4 Dual Rate 1310nm 20km Transceiver |
| QSFP28-LR4-100G   | QSFP28 100GBASE-LR4 and 112GBASE-OTU4 Dual Rate 1310nm 25km Transceiver |
| QSFP28-ER4-100G   | QSFP28 100GBASE-ER4 and 112GBASE-OTU4 Dual Rate 1310nm 30km Transceiver |
| Q28-100/112G-40   | QSFP28 100GBASE-ER4 and 112GBASE-OTU4 Dual Rate 1310nm 40km Transceiver |
| QSFP28-DR-100G    | QSFP28 100GBASE-DR Single Lambda 1310nm 500m Transceiver                |
| QSFP28-FR-100G    | QSFP28 100GBASE-FR Single Lambda 1310nm 2km Transceiver                 |
| QSFP28-LR-100G    | QSFP28 100GBASE-LR Single Lambda 1310nm 10km Transceiver                |



 <https://www.fs.com>



The information in this document is subject to change without notice. FS has made all efforts to ensure the accuracy of the information, but all information in this document does not constitute any kind of warranty.